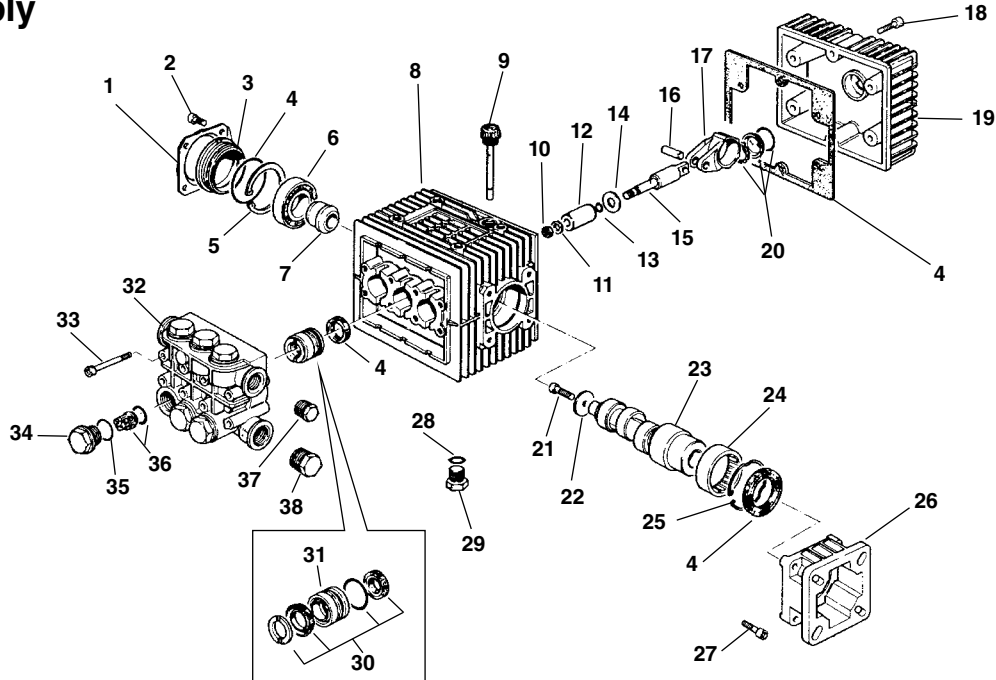


Pump Assembly

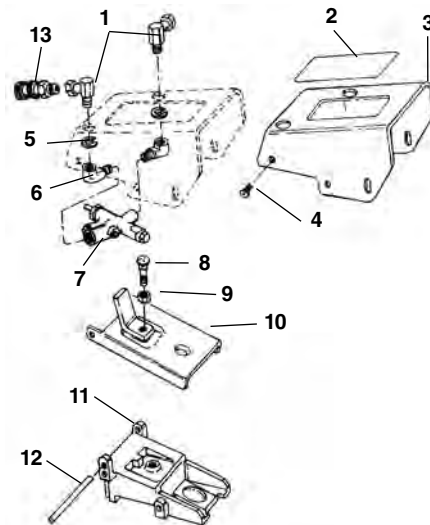


**NOTE: Order parts by Catalog Number Only.
DO NOT order by Reference Number.**

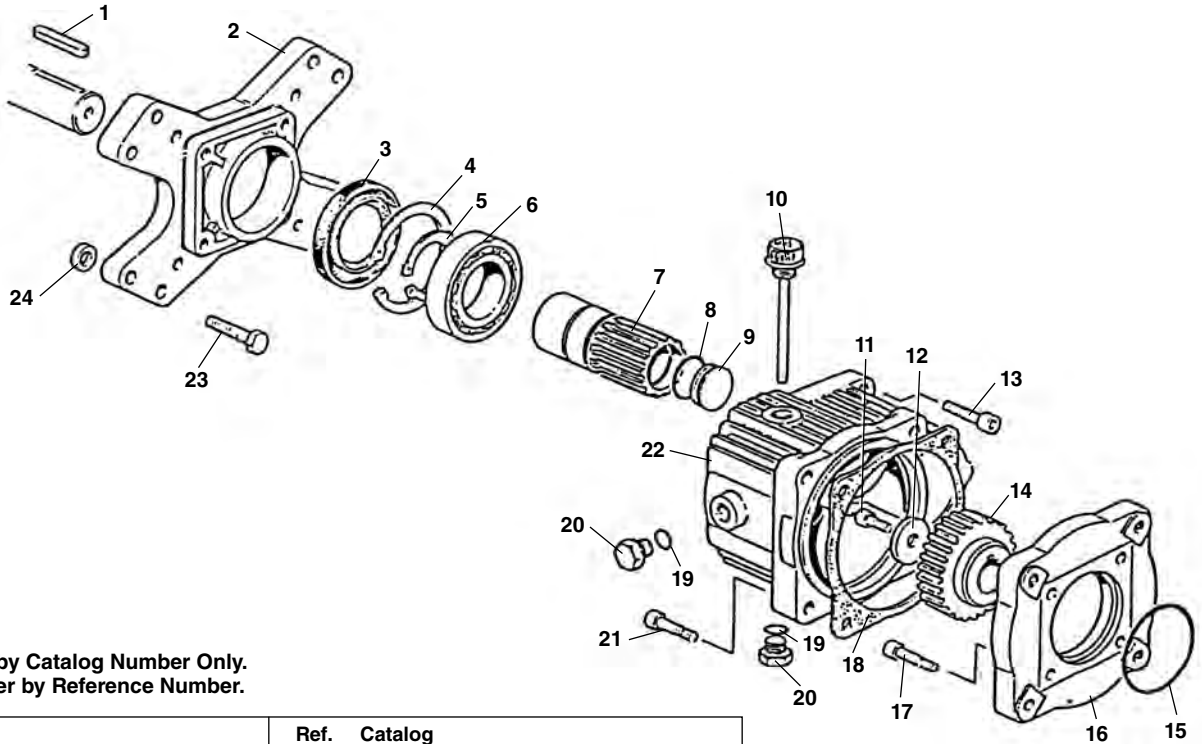
Ref. No.	Catalog No.	Description	Ref. No.	Catalog No.	Description	Ref. No.	Catalog No.	Description
—	65132	Pump Assembly	13	65282	O-Ring (3)	26	65347	Mounting Flange
1	65222	Bearing Retainer	14	65287	Slinger (3)	27	65352	Bolt (4)
2	65227	Bolt (4)	15	65292	Lower Plunger (3)	28	65357	O-Ring
3	65232	Bearing Cover	16	65297	Wrist Pin (3)	29	65362	Drain Plug
4	65237	Crankcase Seal Kit (4 pcs)	17	65302	Connecting Rod (3)	30	65367	Plunger Seal Kit (3 sets)
5	65242	Retaining Ring	18	65307	Bolt, M5 x 20 (6)	31	65372	Cup Retainer (3)
6	65247	Ball Bearing	19	65312	Crankcase Cover	32	65377	Pump Head
7	65252	Shaft Retainer	20	65317	Sight Glass w/O-Ring & Retainer	33	65382	Bolts, M6 x 60 (8)
8	65257	Crankcase	21	65322	Bolt	34	65387	Valve Cap (6)
9	65262	Dipstick	22	65327	Washer	35	65392	O-Ring (6)
10	65267	Nut (3)	23	65332	Crankshaft	36	65397	Valve Kit (6 Valves, 6 O-Rings)
11	65272	Plunger Seal (3)	24	65337	Roller Bearing	37	65402	Port Plug, Small
12	65277	Plunger (3)	25	65342	Retaining Ring	38	65407	Port Plug, Large

FV-1 Foot Valve

Ref. No.	Catalog No.	Description
—	48157	Foot Valve Complete, FV-1
1	49787	Elbow w/Swivel, 1/4" NPT (2)
2	49777	Decal, Model No.
3	49772	Cover
4	36787	Screw, Self Tapping, #10 (4)
5	49792	Lock Washer 3/16" (2)
6	49797	Street EL, 1/4" NPT(2)
7	49782	Valve Assembly
8	49802	Carriage Bolt, 1/4" NPT
9	47297	Lock Nut, 1/4" - 20
10	49767	Foot Pedal
11	36737	Base
12	36747	Pivot Pin
13	48117	Quick Connect – Female



Gearbox

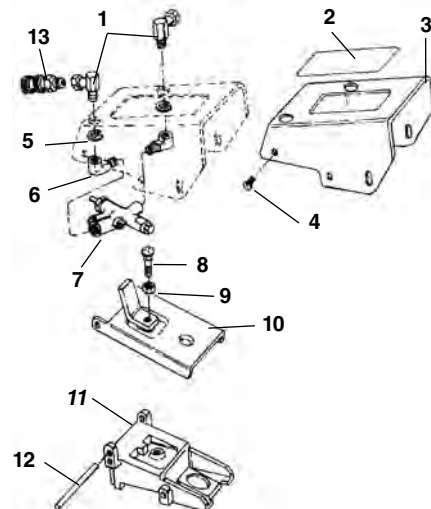


**NOTE: Order parts by Catalog Number Only.
DO NOT order by Reference Number.**

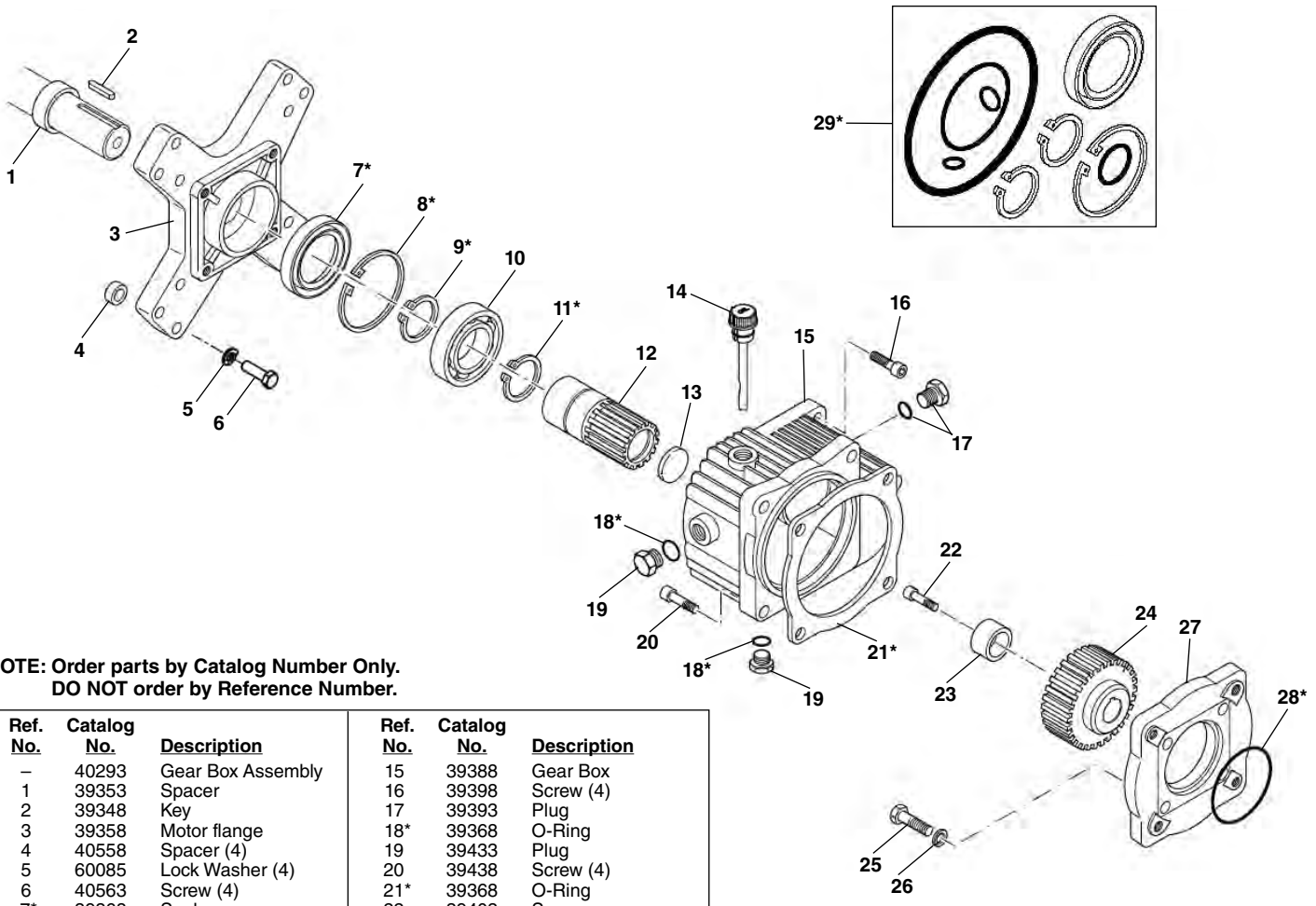
Ref. No.	Catalog No.	Description	Ref. No.	Catalog No.	Description
1	66107	Key, 1/4" x 1/4" x 1"	13	66372	Soc. Hd. Cap Scr. M8 x 25 (4)
2	66322	Mounting Flange	14	66377	Gear
3	66327	Shaft Seal	15	66382	O-Ring
4	66332	Retaining Ring	16	66387	Flange
5	66337	Retaining Ring	17	66392	Soc. Hd. Cap Scr. M8 x 30 (4)
6	66342	Ball Bearing	18	66397	Gasket
7	66347	Gear Shaft	19	65357	O-Ring (2)
8	66352	O-Ring	20	65362	Drain Plug (2)
9	66357	Plug	21	66402	Soc. Hd. Cap Scr. M10 x 25 (4)
10	66782	Dipstick	22	66407	Housing
11	66362	Soc. Hd. Cap Scr. M6 x 18	23	75350	Hex Screw, 3/8" - 16 x 1 1/4" (4)
12	66367	Washer	24	66112	Spacer, Gearbox Mount (4)

FV-1 Foot Valve

Ref. No.	Catalog No.	Description
—	48157	Foot Valve Complete, FV-1
1	49787	Elbow w/Swivel, 1/4" NPT (2)
2	49777	Decal, Model No.
3	49772	Cover
4	36787	Screw, Self Tapping, #10 (4)
5	49792	Lock Washer 9/16" (2)
6	49797	Street EL, 1/4" NPT(2)
7	49782	Valve Assembly
8	49802	Carriage Bolt, 1/4" NPT
9	47297	Lock Nut, 1/4" - 20
10	49767	Foot Pedal
11	36737	Base
12	36747	Pivot Pin
13	48117	Quick Connect – Female



Gearbox



**NOTE: Order parts by Catalog Number Only.
DO NOT order by Reference Number.**

Ref. No.	Catalog No.	Description	Ref. No.	Catalog No.	Description
—	40293	Gear Box Assembly	15	39388	Gear Box
1	39353	Spacer	16	39398	Screw (4)
2	39348	Key	17	39393	Plug
3	39358	Motor flange	18*	39368	O-Ring
4	40558	Spacer (4)	19	39433	Plug
5	60085	Lock Washer (4)	20	39438	Screw (4)
6	40563	Screw (4)	21*	39368	O-Ring
7*	39368	Seal	22	39403	Screw
8*	39368	Circlip	23	39408	Spacer
9*	39368	Circlip	24	39413	Gear
10	39373	Bearing	25	39428	Screw (4)
11*	39368	Circlip	26	39423	Washer (4)
12	39378	Pinion	27	39418	Flange
13	40568	Cover	28*	39368	O-Ring
14	39383	Oil Plug with O-Ring	29*	39368	Service Kit

* Sold in Ref # 29 Service Kit only.

FV-1 Foot Valve

Ref. No.	Catalog No.	Description
—	48157	Foot Valve Complete, FV-1
1	49787	Elbow w/Swivel, 1/4" NPT (2)
2	49777	Decal, Model No.
3	49772	Cover
4	36787	Screw, Self Tapping, #10 (4)
5	49792	Lock Washer 3/16" (2)
6	49797	Street EL, 1/4" NPT(2)
7	49782	Valve Assembly
8	49802	Carriage Bolt, 1/4" NPT
9	47297	Lock Nut, 1/4" - 20
10	49767	Foot Pedal
11	36737	Base
12	36747	Pivot Pin
13	48117	Quick Connect - Female

